

Product availability: Stock - Normally stocked in distribution facility



### Main

Range of Product	Modicon X80
Product or Component Type	Discrete I/O module
Discrete input number	16
Input type	Current sink (logic positive)
Discrete input voltage	24 V DC positive
Discrete input current	2.5 MA
Discrete output number	16
Discrete output type	Solid state
Discrete output voltage	24 V 19...30 V DC
Discrete output current	0.1 A

### Complementary

Input compatibility	With 2-wire/3-wire proximity sensors IEC 60947-5-2 With 2-wire/3-wire proximity sensors IEC 61131-2 Type 1
Voltage range	19...30 V
Current state 1 guaranteed	$\geq 2$ mA
Current state 0 guaranteed	$\leq 0.5$ mA
Current per channel	0.125 A
Maximum current per module	3.2 A
Maximum leakage current	0.1 MA at state 0
Maximum voltage drop	$< 1.5$ V at state 1
Input impedance	9600 Ohm
Insulation resistance	$> 10$ MOhm 500 V DC
Power dissipation in W	4 W
DC typical filtering time	4 Ms
DC maximum filtering time	7 Ms
Response time on output	1.2 ms
Paralleling of outputs	Yes : 3 maximum
Typical current consumption	69 MA 24 V DC 125 MA 3.3 V DC

Current consumption	<= 104 mA 24 V DC <= 166 mA 3.3 V DC
MTBF reliability	650614 H
Protection type	1 external fuse per group of input channel 0.5 A fast blow Overvoltage protection on output Reverse polarity protection on input reverse polarity protection on output
Output overload protection	With electronic circuit breaker 0.125 A < Id < 0.185 A With current limiter
Output overvoltage protection	With transil diode
Output short-circuit protection	With 2 A external fuse
Reverse polarity protection	Reverse mounted diode
Voltage detection threshold	< 14 V DC preactuator fault < 14 V DC sensor fault > 18 V DC preactuator OK > 18 V DC sensor OK
Maximum tungsten load	1.2 W
Switching frequency	0.5/LI <sup>2</sup> Hz
Maximum overload time	15 Ms
Load impedance ohmic	<= 220 Ohm
Status LED	Module operating (RUN) 1 LED Green) Channel diagnostic 1 LED per channel Green) Module error (ERR) 1 LED Red) Module I/O 1 LED Red)
Net Weight	0.24 Lb(US) (0.11 kg)

## Environment

IP Degree of Protection	IP20
Directives	2014/35/EU - low voltage directive 2014/30/EU - electromagnetic compatibility
Dielectric strength	1500 V AC 50/60 Hz 1 minute, output/ground 1500 V AC 50/60 Hz 1 minute, output/internal logic 1500 V AC 50/60 Hz 1 minute, primary/secondary 500 V DC 1 minute, between group of inputs and outputs
Vibration resistance	3 gn
Shock resistance	30 gn
Ambient Air Temperature for Storage	-40...185 °F (-40...85 °C)
Ambient air temperature for operation	32...140 °F (0...60 °C)
Relative humidity	5...95 % 131 °F (55 °C) without condensation
Operating altitude	0...6561.68 ft (0...2000 m) 2000...5000 m with derating factor

## Ordering and shipping details

Category	18160 - MODICON M340
Discount Schedule	PC34
GTIN	3595863910636
Nbr. of units in pkg.	1
Package weight(Lbs)	4.94 Oz (140 g)
Returnability	Yes
Country of origin	FR

## Packing Units

Unit Type of Package 1	PCE
Package 1 Height	2.17 In (5.5 cm)
Package 1 width	4.33 In (11 cm)
Package 1 Length	4.53 In (11.5 cm)
Unit Type of Package 2	S02

Number of Units in Package 2	15
Package 2 Weight	4.63 Lb(US) (2.1 kg)
Package 2 Height	5.91 In (15 cm)
Package 2 width	11.81 In (30 cm)
Package 2 Length	15.75 In (40 cm)

### Offer Sustainability

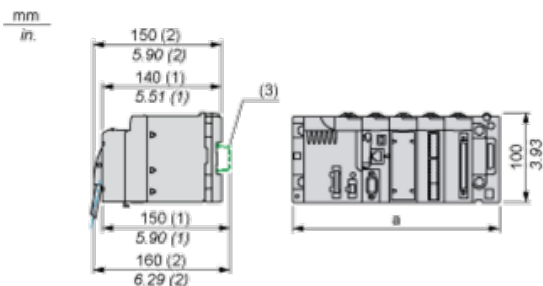
Sustainable offer status	Green Premium product
California proposition 65	WARNING: This product can expose you to chemicals including: Lead and lead compounds, which is known to the State of California to cause cancer and birth defects or other reproductive harm. For more information go to <a href="http://www.P65Warnings.ca.gov">www.P65Warnings.ca.gov</a>
REACH Regulation	<a href="#">REACH Declaration</a>
REACH free of SVHC	Yes
EU RoHS Directive	Pro-active compliance (Product out of EU RoHS legal scope) <a href="#">EU RoHS Declaration</a>
Mercury free	Yes
RoHS exemption information	<a href="#">Yes</a>
China RoHS Regulation	<a href="#">China RoHS Declaration</a>
Environmental Disclosure	<a href="#">Product Environmental Profile</a>
Circularity Profile	<a href="#">End Of Life Information</a>
WEEE	The product must be disposed on European Union markets following specific waste collection and never end up in rubbish bins.

### Contractual warranty

Warranty	18 months
----------	-----------

Modules Mounted on Racks

Dimensions



(1) With removable terminal block (cage, screw or spring).

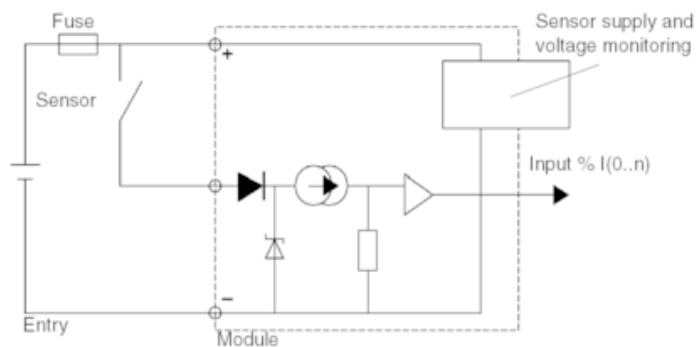
(2) With FCN connector.

(3) On AM1 ED rail: 35 mm wide, 15 mm deep. Only possible with BMXXBP0400/0400H/0600/0600H/0800/0800H rack.

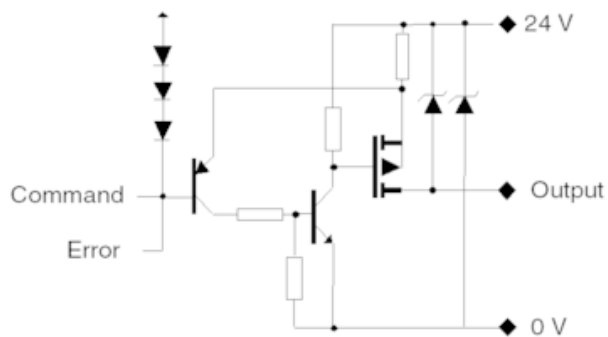
Rack references	a in mm	a in in.
BMXXBP0400 and BMXXBP0400H	242.4	09.54
BMXXBP0600 and BMXXBP0600H	307.6	12.11
BMXXBP0800 and BMXXBP0800H	372.8	14.68
BMXXBP1200 and BMXXBP1200H	503.2	19.81

## Connecting the Module

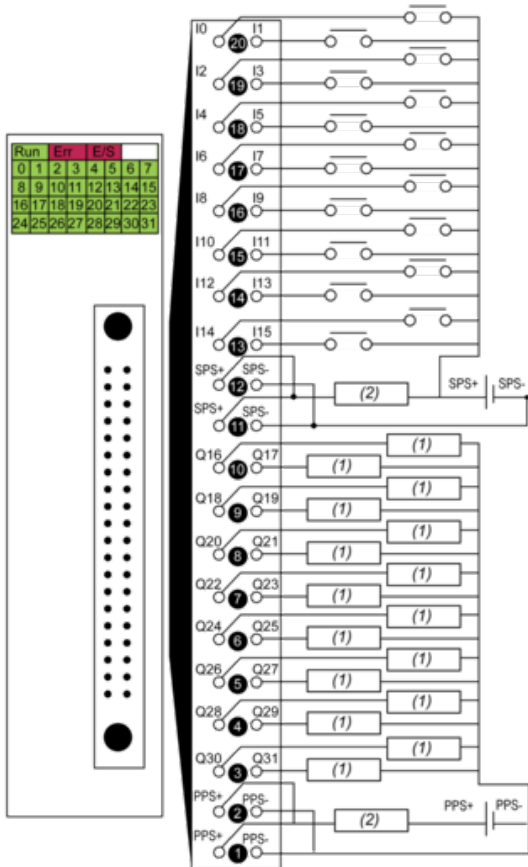
### Input Circuit Diagram



### Output Circuit Diagram



## Module Connection



(1) pre-actuator

(2) fuse

power supply 24 VDC

input fuse fast blow fuse of 0.5 A

output fuse fast blow fuse of 2 A

SPS sensor power supply

PPS pre-actuator power supply

Product Life Status : **Commercialised**